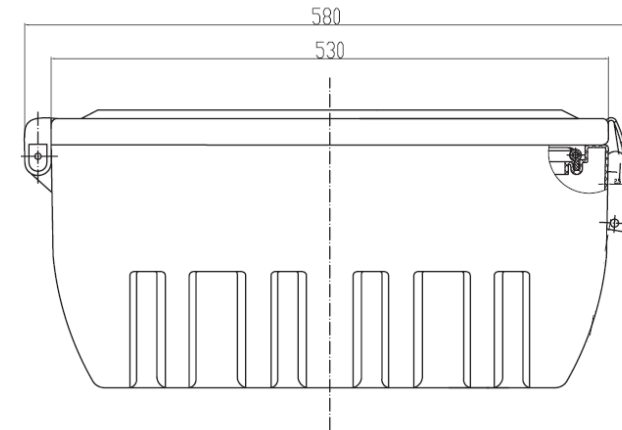
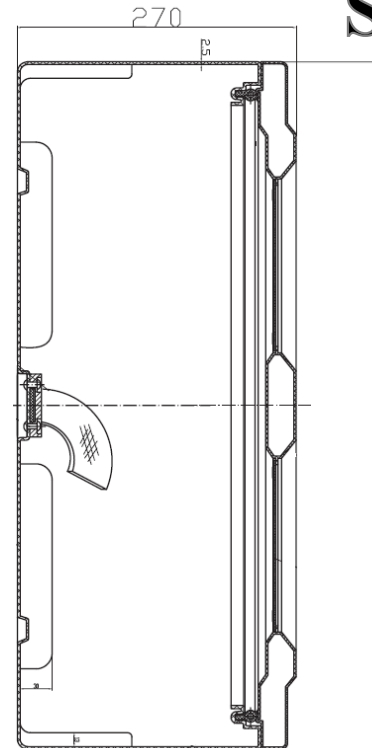


Double Fire Extinguisher Cabinet

Stock Code: TH02-04-00



Stock Code	Description
TH02-04-00	Double fire extinguisher cabinet plastic UV treated. Suits 4.5kg to 9kg DCP & 3.5kg CO2 extinguishers.